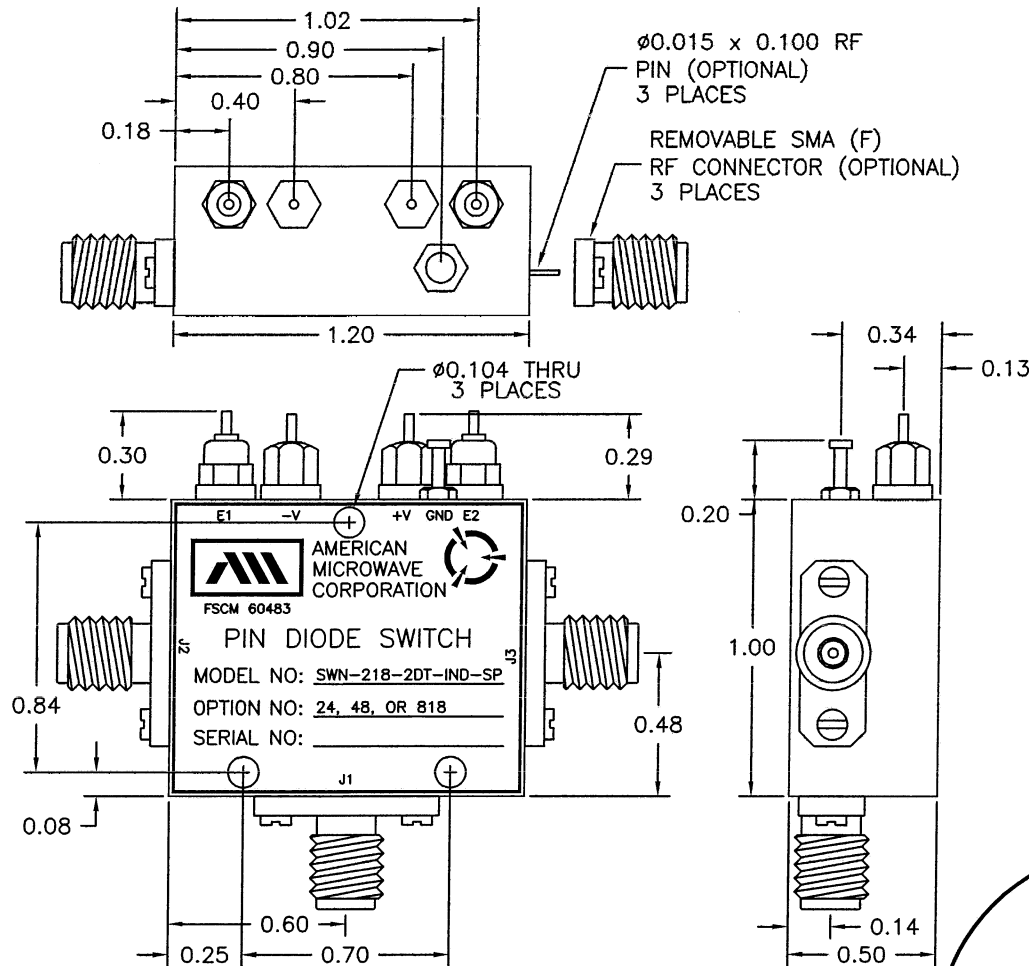


DESCRIPTION

AMC MODEL SWN-218-2DT-IND-SP OPTION: 24, 48, OR 818 IS AN ABSORPTIVE/NON-REFLECTIVE SINGLE POLE TWO THROW SWITCH DESIGNED TO OPERATE OVER THE 2 TO 4 GHz, 4 TO 8 GHz, OR 8 TO 18 GHz FREQUENCY RANGE WITH LOW INSERTION LOSS, HIGH ISOLATION, HIGH POWER, AND VERY FAST SPEEDS.

REVISIONS				
ZONE	REV.	DESCRIPTION	DATE	APPROVED
	-	ORIGINAL RELEASE JOB# 504096PE	6/1/05	



MECHANICAL OUTLINE

AMERICAN MICROWAVE CORPORATION

7311-G GROVE ROAD
 FREDERICK, MARYLAND 21704 USA
 TEL: 301-662-4700 FAX: 301-662-4938
 WEBSITE: www.americanmicrowavecorp.com
 E-MAIL: sales@americanmicrowavecorp.com
 ISO 9001:2000 CERTIFIED



ALL DIMENSIONS ARE IN INCHES
 TOLERANCES:
 X.XX ±0.020
 X.XXX ±0.010

APPROVALS		DATE	TITLE		
DRAWN	<i>FJM</i>	6/1/05	MECHANICAL OUTLINE SWN-218-2DT-IND-SP OPTION: 24, 48, OR 818 HIGH POWER, HIGH SPEED SPDT PIN DIODE SWITCH		
CHECKED	<i>PA</i>	6/2/05	SIZE	FSCM NO.	DWG NO.
ISSUED			A	60483	100-7455
			SCALE	N:S	SHEET 2 OF 3

DESCRIPTION

AMC MODEL SWN-218-2DT-IND-SP OPTION: 24, 48, OR 818 IS AN ABSORPTIVE/NON-REFLECTIVE SINGLE POLE TWO THROW SWITCH DESIGNED TO OPERATE OVER THE 2 TO 4 GHz, 4 TO 8 GHz, OR 8 TO 18 GHz FREQUENCY RANGE WITH LOW INSERTION LOSS, HIGH ISOLATION, HIGH POWER, AND VERY FAST SPEEDS.

SPECIFICATIONS

- FREQUENCY RANGE: REFER TO OPTION LIST
- INSERTION LOSS: REFER TO OPTION LIST
- ISOLATION: 45 dB MINIMUM
- VSWR: 2.0:1
- RISE TIME: 5 nSec MAXIMUM
- FALL TIME: 5 nSec MAXIMUM
- DELAY ON: 25 nSec MAXIMUM
- DELAY OFF: 25 nSec MAXIMUM
- AVERAGE POWER: 1 WATT MAXIMUM OPERATING
- PEAK POWER: 5 WATTS OPERATING PW 25 μ S MAXIMUM
- CONTROL: TTL LOGIC "0" = J1-J2 ON
TTL LOGIC "1" = J1-J3 ON
- POWER SUPPLY: +5V @ 100 mA MAXIMUM
-15V @ 100 mA MAXIMUM
- CONNECTORS:
RF: SMA FEMALE
CONTROL: SOLDER PIN
- SIZE: 1.20" (L) x 1.00" (W) x 0.50" (H)
- WEIGHT: 1.5 OUNCE TYPICAL

OPTIONS:

- 24: 2 - 4 GHz FREQUENCY RANGE
INSERTION LOSS 1.5 dB MAXIMUM
- 48: 4 - 8 GHz FREQUENCY RANGE
INSERTION LOSS 2.0 dB MAXIMUM
- 818: 8 - 18 GHz FREQUENCY RANGE
INSERTION LOSS 2.5 dB MAXIMUM
PEAK POWER PW 2 μ S MAXIMUM

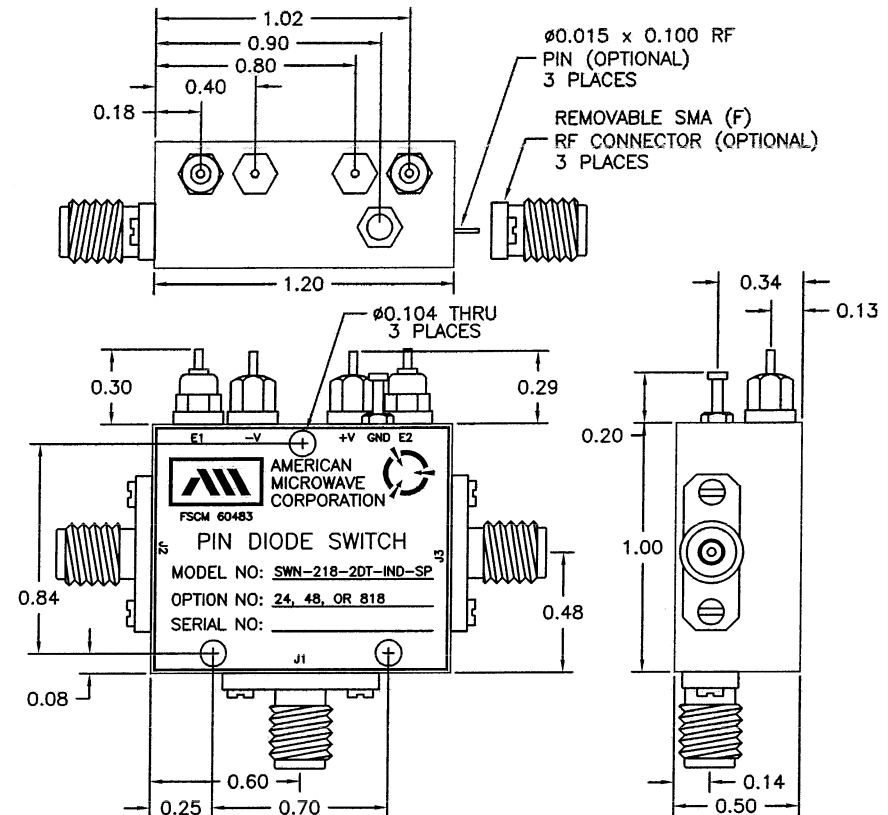
ENVIRONMENTAL RATINGS:

- TEMPERATURE: -55°C TO +85°C (OPERATING)
-65°C TO +125°C (STORAGE)
- HUMIDITY: MIL-STD-202F, METHOD 103B COND. B
- SHOCK: MIL-STD-202F, METHOD 213B COND. B
- VIBRATION: MIL-STD-202F, METHOD 204D COND. B
- ALTITUDE: MIL-STD-202F, METHOD 105C COND. B
- TEMPERATURE CYCLE: MIL-STD-202F, METHOD 107D COND. A

NOTE: SPECIFICATIONS WILL VARY OVER OPERATING TEMPERATURE
NOTE: THE ABOVE SPECIFICATIONS ARE SUBJECT TO CHANGE OR REVISION

ALL DIMENSIONS ARE IN INCHES
TOLERANCES:
X.XX \pm 0.020
X.XXX \pm 0.010

REVISIONS				
ZONE	REV.	DESCRIPTION	DATE	APPROVED
	-	ORIGINAL RELEASE JOB# 504096PE	6/1/05	



AMERICAN MICROWAVE CORPORATION

7311-G GROVE ROAD
FREDERICK, MARYLAND 21704 USA
TEL: 301-662-4700 FAX: 301-662-4938
WEBSITE: www.americanmicrowavecorp.com
E-MAIL: sales@americanmicrowavecorp.com
ISO 9001:2000 CERTIFIED



APPROVALS		DATE	TITLE		
DRAWN <i>JCM</i>		6/1/05	PRODUCT FEATURE SWN-218-2DT-IND-SP OPTION: 24, 48, OR 818 HIGH POWER, HIGH SPEED SPDT PIN DIODE SWITCH		
CHECKED <i>PK</i>		6/2/05	SIZE	FSCM NO.	DWG NO.
ISSUED			A	60483	100-7455
SCALE N:S			SHEET		1 OF 3